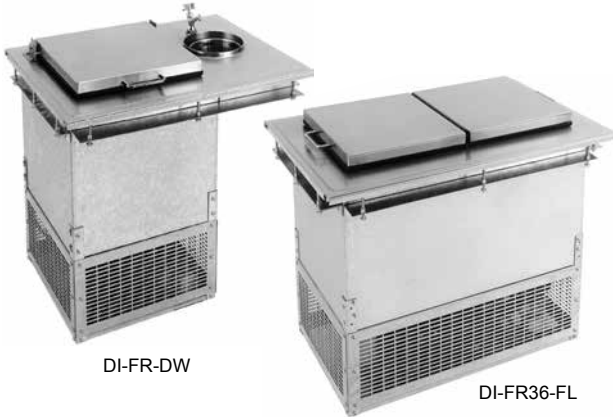


Project: _____	AIA# _____
Item #: _____ Qty: _____	SIS# _____
Model #: _____	

## Drop-In Ice Cream Freezers

DI-FR, DI-FR-DW, DI-FR36, DI-FR36-FL,  
 DI-FR36-DW or DI-FR36-DW-FL



**Intertek**

EP 5016978  
 Energy Performance  
 Verified / Rendement  
 Énergétique Vérifié



**Intertek**

4004503  
 Conforms to NSF/ANSI STD 7  
 and UL STD 471  
 Certified to CSA STD C22.2 No. 120



**Intertek**

### Standard Features

- Stainless steel work surface, lid, and interior liner with galvanized steel exterior wrap
- Eco friendly foamed-in-place insulation has zero impact on global warming or ozone depletion
- Available with integral 6" diameter draining dipper well and faucet
- Eight foot grounded cord and plug provided
- Available sizes for one or two 3-gallon containers
- Refer to reverse side for mounting instructions
- Special angle brackets, U-channels, and mounting bolts provided for easy installation and allows unit to be removed if necessary

NOTE: The standard top lifts up and the special hinges allow the lid to remain open while dipping. A special "flip lid" is available on the models that hold two 3-gallon containers. The flip lid is hinged in the middle and opens from each end. The flip lid models are specified with the suffix '-FL' on the end of the model number.

★ **All faucets are NSF/ANSI 372  
low lead compliant**

### Specifications

#### Drains

- 1-1/2" I.P.S. (when ordered with dipper well). Threaded drain will fit Dearborn part #8033 slipnut and part #W-573P washer.

#### Faucet

- Accepts 3/8" cold water leads (when ordered with dipper well)

#### Capacities

- DI-FR models holds one 3-gallon container
- DI-FR36 models holds two 3-gallon containers

#### Product Storage Clearance Dimensions

- DI-FR - 10-1/16" x 10-1/16" x 12-1/4"H
- DI-FR36 - 10-1/16" x 20-1/16" x 12-1/4"H

#### Electrical

- 120V, 1 phase, 60 Hz, 3.5 full load amps
- Dedicated 15 amp circuit is recommended
- Includes 8 foot NEMA 5-15P grounded cord and plug



5-15P

#### Refrigeration

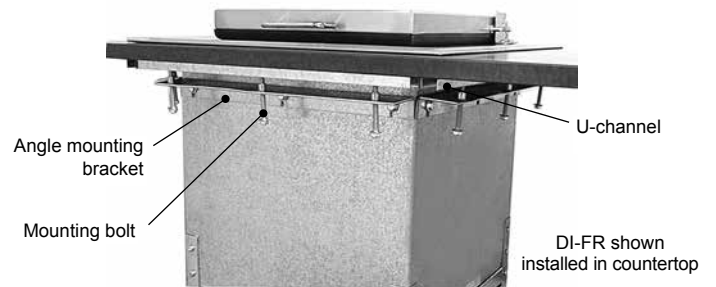
- 1/4 HP, 0.06 Ton, R290 100g (3.53 oz)
- 1,433 BTU/hr heat rejection

#### Operating Range

- -5°F (-20°C) to 10°F (-12°C)

#### Materials

- Stainless steel parts include: work surface, interior liner, lid, and dipper well
- Galvanized steel parts include: exterior wrap and condensing unit base plate



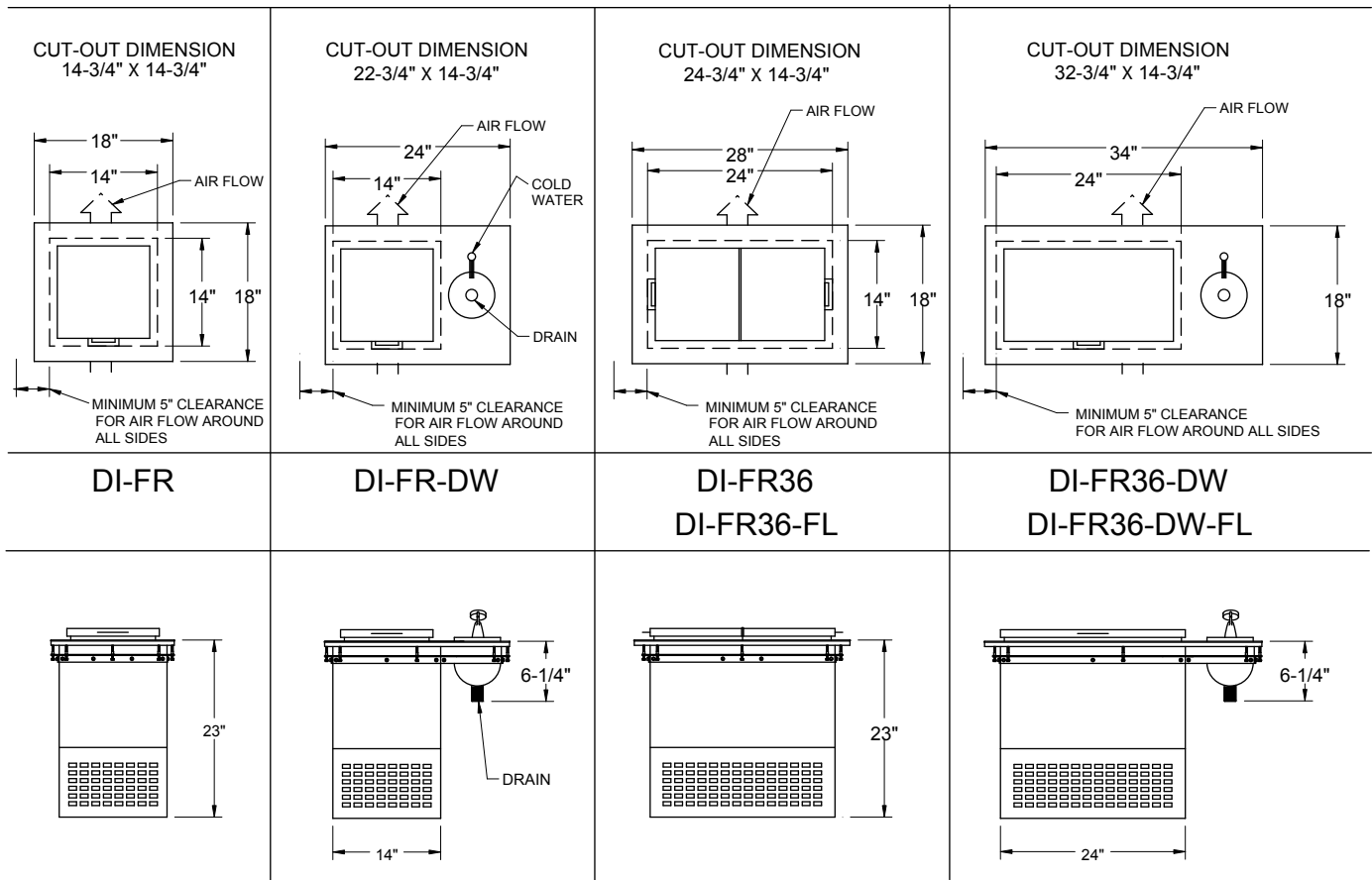
<p><b>Glastender, Inc.</b> • 5400 N Michigan Rd • Saginaw, MI • 48604-9780          989.752.4275 • 800.748.0423 • Fax 989.752.4444  <a href="http://www.glastender.com">www.glastender.com</a></p>	<p>Approval/Notes:</p>
--	------------------------

Specifications subject to change without notice. For current specifications please visit our website.

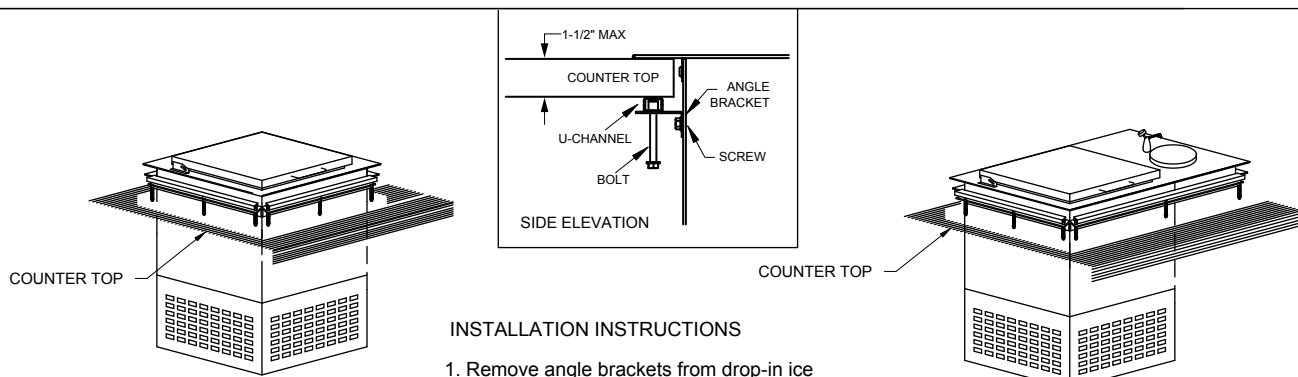
# Drop-In Ice Cream Freezers

## Dimensional Information

### PLAN VIEWS



### FRONT VIEWS



DI-FR

#### INSTALLATION INSTRUCTIONS

1. Remove angle brackets from drop-in ice cream freezer.
2. Place freezer into appropriate size cut-out for specific model number used.
3. Replace angle brackets, firmly tighten screws.
4. Place U-channels on top of bolts.
5. Tighten each bolt evenly along U-channels.
6. Seal as necessary.

DI-FR-DW

NOTE: THIS UNIT REQUIRES PROPER VENTILATION. AIR FLOW RESTRICTIONS AND/OR LACK OF VENTILATION OF CABINET SPACE WILL CAUSE COMPRESSOR FAILURE AND WILL VOID WARRANTY. CONDENSER NEEDS 150 CFM OF SUPPLY AIR TO MAINTAIN PROPER OPERATION.